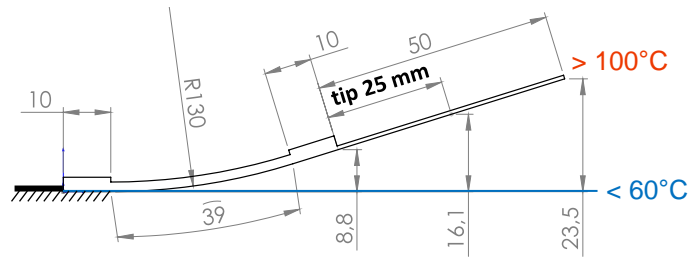


# Datasheet Actuator: *Curve*® plugged A3920E24

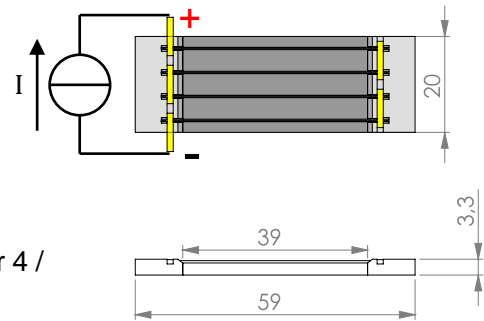
- Active length: **39 mm**
- Module size: **59 mm x 20 mm x 3.3 mm**
- Bending: **low (E24)**
- Weight: **4.3 g + hosting structure**
- Hosting structure: **steel + rivets, tip 25 mm**  
size 94 x 20 x 0.50 mm<sup>3</sup>
- Load range with high cycling stability (> 300.000)
  - at module edge: **820 g**
  - at 25 mm: **540 g**
  - at 50 mm: **400 g**

- Operating mode: **plugged**
- Thermal activation by: **resistive heating**
- Electronic circuit: **all wires in series**
- Resistivity: **0.8 Ohm**
- Full Activation (DC): **e.g. 3 A for 15 s / 4 A for 4 / 5 A for 1.3 s**

## Actuator A3920E24



## M3920E24 – Actuator Module only



© CompActive GmbH

All values are only estimations!

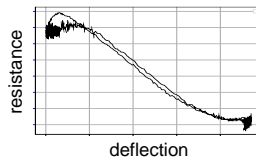
## Customized, high-performance actuators by ...

### ... high-tech solutions

- reliable load transfer
- proven cycle stability
- injection molded frame elements
- special SMA material specifications
- high temperature FRP
- self-sensing capability

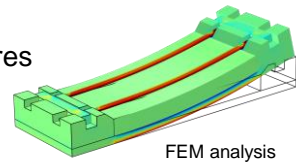
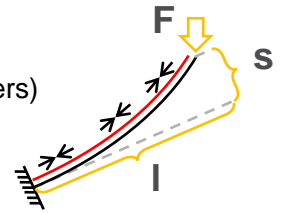


actuator test bench



### ... individual design

- substrate (metals, polymers)
- size
- deflection
- load / cycles
- wire material / temperatures
- electrical resistance



FEM analysis

### ... customized mechanical fixation

- adhesive films
- liquid adhesives
- bolts, rivets, screws
- plug-on

### ... various electrical connection

- crimping
- soldering
- plugging in
- welding



© CompActive GmbH